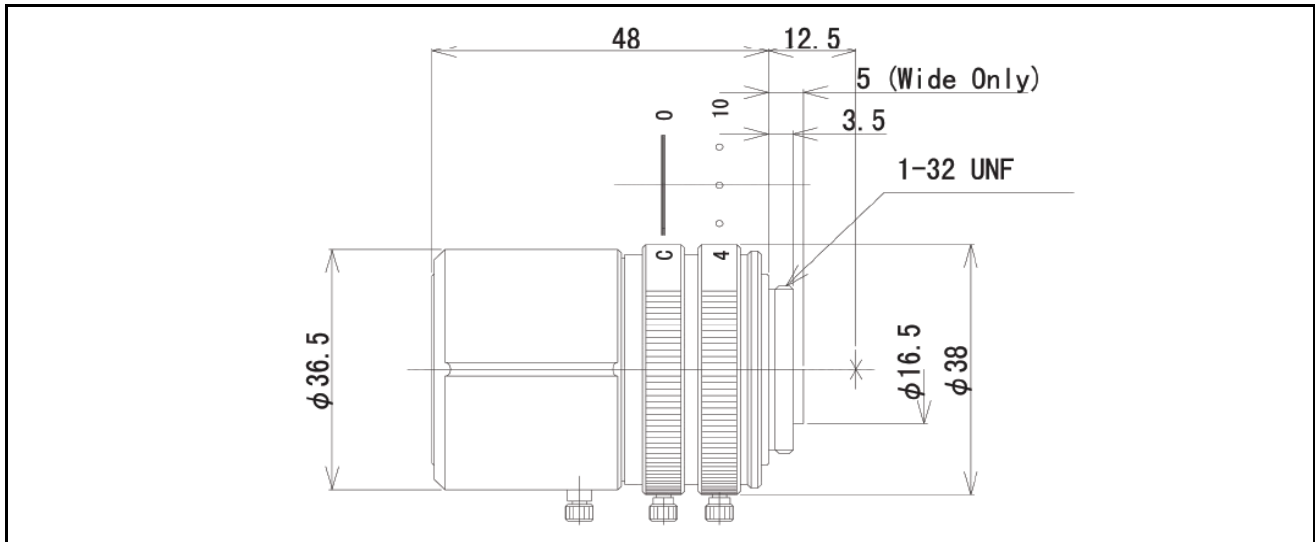


# IQeye V1 Lens

**Megapixel Resolution  
Wide Varifocal, Manual Iris**



(Unit: mm)

<b>Image Format</b>	1/2-inch (image circle : $\phi 8$ mm)
<b>Focal Length</b>	4.0 - 10.0mm
<b>Focus Operation</b>	Manual
<b>Iris Operation</b>	Manual
<b>Max. Aperture</b>	F= 1.8
<b>Iris Range</b>	F1.8 - Closed
<b>View Angle</b>	Download the IQinVision Lens Specification Sheet at <a href="http://www.iqeye.com">www.iqeye.com</a>
<b>Lens Mount</b>	CS-mount
<b>MOD (Minimum Object Distance)</b>	0.3m
<b>Dimensions</b>	$\phi 36.5$ mm x 48mm
<b>Weight</b>	90g