

IQeye Alliance™ Series

Vandal-Resistant IP Camera



Installation and Operating Instructions

IQinVision 

When you can't afford to miss a thing.

Important Safeguards



**CAUTION: BEWARE OF RISK OF ELECTRICAL SHOCK.
REFER SERVICING TO QUALIFIED SERVICE PERSONNEL.**

Due to product size and space limitations, this label may not appear on all products.



The lightning flash with an arrowhead symbol within an equilateral triangle is intended to alert the user to the presence of uninsulated “dangerous voltage” within the product’s enclosure that may be of sufficient magnitude to constitute a risk of electric shock to persons.



The exclamation point within an equilateral triangle is intended to alert the user to presence of important operating and maintenance (servicing) instructions in the literature accompanying the appliance.

**WARNING: TO PREVENT FIRE OR SHOCK HAZARD,
DO NOT EXPOSE UNITS TO RAIN OR MOISTURE.**



Attention: Installation should be performed by qualified service personnel only in accordance with the National Electrical Code or applicable local codes.

Contents

1. Unpacking.....	3
2. Service	3
3. Description.....	4
4. Installation	4
5. Parts List.....	4
6. Mounting Options.....	5
7. Removal of Dome Cover and Camera Assembly.....	6
8. Install Interior Mounting Plate.....	6
9. Connect Camera	7
10. Camera Positioning, Field-of-View Set-up and Focus.....	7
11. Reboot and Factory Restore.....	8
12. Close Camera	9
13. PC Configuration.....	9
14. Warranty	10

1. Unpacking

Unpack carefully. This is an electromechanical device and should be handled carefully. Check to ensure the following items are included:

IQA1xSI, IQA1xNI, IQA2xSI, IQA2xNI Series Alliance Dome

- Alliance Dome Camera Assembly
- Torx T-20 Security Wrench
- Mounting Template
- Mounting Hardware
- IQtools CD-ROM

IQA1xSE, IQA1xNE, IQA1xNX, IQA2xSE, IQA2xNE Series Alliance Dome

- Alliance Dome Camera Assembly and Back Box
- 3/4" NPT Plug
- Torx T-20 Security Wrench
- Weather Gasket
- Dome Cover Leash Assembly
- Mounting Hardware
- Mounting Template

2. Service

If the unit needs repair service or parts, the customer should contact IQinVision for authorization to return, as well as shipping instructions.

IQinVision

33122 Valle Road

San Juan Capistrano, CA 92675-4853

Phone: +1-949-369-8100 or 1-877-850-0805 (toll-free in U.S.)

Fax: +1-949-369-8105

3. Description

IQeye Alliance Series is an advanced network mini-dome camera available in multiple resolutions from VGA to multi-megapixel. With a variety of models to choose from the IQeye Alliance is ideal for applications requiring TRUE day/night functionality or H.264 compression for lower file sizes while still delivering high-quality images at megapixel resolutions, while Extreme Temperature models can withstand the harshest weather conditions.

Alliance's unique auto-tracking shroud automatically aligns during setup and installation of the camera, and its innovative low-profile design gives a flush-mount appearance though Alliance is actually a surface mount camera. Alliance's mounting plate or back box provides for a stable, robust installation, and the integrated 3-axis gimbal allows you to mount Alliance anywhere and still achieve level, high-quality images.

The IQeye Alliance is fully vandal-resistant, with a housing constructed of high-grade aluminum and a dome bubble constructed of polycarbonate material.

4. Installation

NOTE: This manual describes how to install the IQeye Alliance Series camera system, and details interior wall and ceiling mounting options. For exterior mounting options, consult the additional manual included with those units. Installations should be performed by qualified service personnel only in accordance with local, state and national code(s).

5. Parts List

Figure 5.1 and 5.2 depict the major camera assembly parts included: **IQA1xSI, IQA1xNI, IQA2xSI, IQA2xNI Series Alliance Dome**

1. Alliance Mounting Plate
2. Alliance Camera, Lens, and Shroud Assembly
3. Alliance Dome Cover Assembly

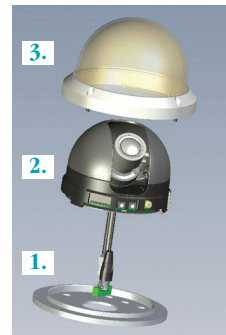


Figure 5.1

IQA1xSE, IQA1xNE, IQA1xNX, IQA2xSE, IQA2xNE Series Alliance Dome

1. Alliance Exterior Back Box
2. Alliance Camera & Lens Assembly
3. Alliance Shroud
4. Alliance Dome Cover Assembly



Figure 5.2

6. Mounting Options

Alliance camera can be mounted in one of two configurations, wall or ceiling. Both mounting configurations are shown in [Figures 6.1 and 6.2](#).

In the wall mount configuration, use the 3-axis gimbal to level the field of view for any camera position.

Alliance cameras provide multiple connection options to serve a wide range of application. The different connectors shown in [Figure 6.3](#) show all required and optional connectors:

1. Ethernet / PoE cable (required)
2. Aux 12-24V DC power and terminal strip (optional)
3. BNC Analog Video out (optional)
4. Audio cables (H.264 variant)



Figure 6.1



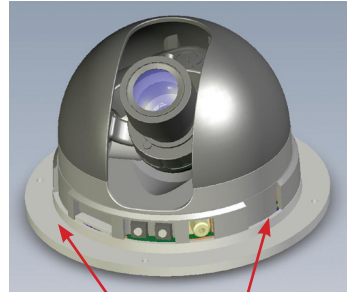
Figure 6.2



Figure 6.3

7. Removal of Dome Cover and Camera Assembly

1. Using the supplied Torx T-20 security tool, loosen the four screws holding the dome cover to the rest of the Alliance camera assembly. Note that these screws are captively held to the dome cover and should not be removed from the dome cover trim ring.
2. Lift the dome cover and trim ring away from the camera assembly.
3. Locate the removal tabs where the camera assembly connects to the mounting plate as shown in [Figure 7.1](#).



Removal Tabs

Figure 7.1

4. Press any two of the three removal tabs and pivot the camera assembly up and away from the mounting plate. Carefully thread the connection cables out through the mounting plate hole.

8. Install Interior Mounting Plate

1. Position the supplied mounting template on the surface in the location where the camera will be installed. Trace and drill the mounting holes and the cable pass through hole as indicated.
2. Using the supplied or equivalent hardware, install the mounting plate to the intended surface.
3. Pull cabling through the pass-through hole.

NOTE: *If you are installing your Alliance into a ceiling tile, please use hardware designed to secure the camera assembly to such a surface, and ensure that the ceiling tile material being mounted is secure.*

In addition, follow local regulations and laws that may have specific requirements governing the installation of security equipment on a ceiling tile surface. IQinVision also strongly recommends the use of a ceiling tile brace and other mounting hardware designed to secure your Alliance to the ceiling frame infrastructure.

9. Connect Camera

1. If 12-24V DC or Input/Output connections are required, be sure to attach the supplied male connector to the appropriate wiring coming from the head end.
2. Connect Ethernet, aux power & I/O, and analog video out connections as appropriate between the camera and the head end. If you are using 12-24V DC power, pay careful attention to the polarity markings on the connector and make sure they match the polarity of your power leads.
3. (H.264 variant only) Connect audio cables to the supplied 3.5mm audio jacks.
4. Carefully feed the connected wires one at a time back through the pass through hole.
5. Carefully snap the camera assembly to the mounting ring by first sliding one of the removal tabs under the attachment lip of the mounting ring then firmly pivot the other two mounting tabs into the mounting plate. The camera mount tabs should snap into place.

10. Camera Positioning, Field-of-View Set-up and Focus

NOTE: *Camera positioning, field-of-view and focus set-up can be assisted by connecting an analog test monitor to the installation/set-up RCA port on the side of the camera.*

1. Determine camera pan direction by gripping the camera assembly near the mounting plate, carefully pivot the camera to the approximately correct pan direction.

- Lift open the camera shroud by flipping it down and away from the front of the camera. The front of the camera is indicated by the lens location.
- Adjust the tilt of the camera by loosening the tilt angle lock screw as shown in [Figure 10.1](#) and pivoting the lens position to the desired range. When finished, lock down the camera tilt angle by tightening the tilt lock screw.



Tilt Lock Mechanism

Figure 10.1

- Adjust the field-of-view and focus rings to achieve the desired result. Be sure to lock the lens ring thumbscrews by tightening them down.
- Alliance is equipped with a secondary analog video port, RCA type, which can be found next to the reset/reboot buttons. This analog port utilizes IQinVision’s exclusive IQfocus utility which allows precise focusing of the camera. Note that IQfocus shuts off 5 minutes after Alliance is powered up or immediately after Alliance begins sending its digital stream.

NOTE: *The lens on Alliance cameras are fixed iris and therefore no iris adjustment is needed.*

11. Reboot and Factory Restore

Rebooting - Depress the reboot key for 2 -3 seconds then release.

Restoring to Factory Default - While pressing the “Factory” key, press and hold the “Reboot” key for 2-3 seconds. Keep holding the Factory key for 10 seconds, then release.

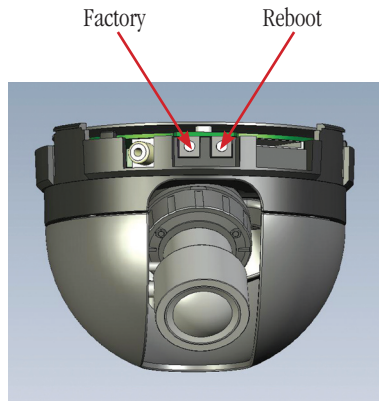


Figure 11.1

12. Close Camera

1. Once field-of-view and focus have been verified, make sure all adjustment screws and locks are firmly tightened.
2. Remove analog test monitor RCA connection (if used).
3. Close shroud by pivoting it back against the camera, being careful not to brush the lens.
4. Carefully position the dome cover so that the dome cover screws line up with the matching receiving holes on the mounting plate.
5. Tighten the dome cover to the mounting plate with the supplied Torx T-20 tool.

13. PC Configuration of IQeye Alliance

PLEASE NOTE – *The default user name for all IQeye devices is “root” and the default password is “system.”*

- a) Insert the IQtools CD in the CD drive of the PC. The IQfinder installation application will launch automatically. See Figure 13.1
- b) Click the “Scan for IQeye cameras on my network” button to find IQeye cameras. See Figure 13.2
- c) The detected cameras will be displayed in the IQfinder window. Highlight a camera from the list and click the “Assign IP” button to edit the selected camera’s IP settings. See Figure 13.3
- d) The “Assign IP” window allows the IP Address, Subnet, and Gateway of the camera to be changed. It also allows the camera to be configured to DHCP. Click the “Apply” button after making the desired changes. See Figure 13.4

Note: *Changing between a static IP address and DHCP mode will require the camera to be rebooted.*

- e) To view a camera’s web page, double-click on a camera entry in the list, select the camera and click the “Open” button. The “Live” page will be displayed.

NOTE: *It is also possible to open Internet Explorer; then enter the IP address of the IQeye device in the address field of the browser.*



Figure 13.1



Figure 13.2

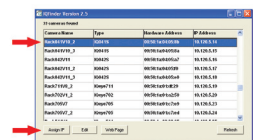


Figure 13.3

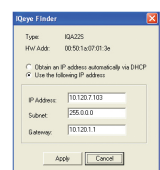


Figure 13.4

14. IQinVision 2 Year Limited Hardware Warranty

Warranty Coverage

IQinVision, Inc. (“IQinVision”) warranty obligations are limited to the terms set forth below:

IQinVision warrants the original purchaser that the IQINVISION Network Video product enclosed with this limited hardware warranty will in respect of the hardware be free from defects in design, workmanship and materials under normal use for a period of two (2) years from the date of the original end-user purchase (“Warranty Period”).

The original purchaser shall without undue delay notify IQinVision of any defect which appears according to IQinVision’s RMA Handling procedure, failure to which shall mean that the purchaser loses its right to have the defect remedied. A valid form of a bill of sale or receipt from an authorized retailer/distributor with the date of the original purchase must be presented to obtain warranty service. If a valid claim is received within the Warranty Period, the sole remedy of the original purchaser and IQinVision’s sole and exclusive liability shall be limited to, at IQinVision’s sole discretion, IQinVision will repair or replace defective parts of the IQeye camera with new parts, or with serviceable used parts that are superior or equivalent in performance to new parts, without charge. Repaired or replacement hardware will be warranted for the remainder of the original Warranty Period or ninety (90) days, whichever is longer. When a product or part is exchanged the replacement hardware becomes the property of the original purchaser and all hardware or part thereof that is replaced shall become the property of IQinVision.

This Limited Warranty is applicable in all countries and may be enforced by contacting IQinVision support worldwide, for more information please visit our web site www.iqeye.com

Exclusions and Limitations

This warranty does not apply (a) to faulty and improper installation, maintenance, service, repair and/or alteration in any way that is not contemplated in the documentation for the product or carried out with IQinVision’s consent in writing, operational adjustments covered in the operating manual for the product or normal maintenance, (b) to cosmetic damages, (c) if the product is modified or tampered with, (d) if the product is damaged by acts of God, accident, normal wear and tear and deterioration, improper environmental conditions (including, but not limited to, electrical surges, water damage, chemical exposure, and/or heat/cold exposure) or lack of responsible care, (e) if the product has had the model or serial number altered, defaced or removed, (f) to consumables (such as storage media or batteries) (g) to products that have been purchased “as is” and IQinVision, the seller or the liquidator expressly disclaim their warranty obligation pertaining to the product, misuse, abuse, negligence, (h) to any non-IQinVision hardware product or any software

(irrespective of packaged or sold with an IQinVision hardware product) and IQinVision products purchased from an unauthorized distributor/reseller; (i) to damage that occurs in shipment or (j) to damages by any other causes not related to defective design, workmanship and/or materials.

All Inquiries for RMA and Warranty Repair should be directed to support@iqeye.com or to the following:

IQinVision
33122 Valle Road
San Juan Capistrano, CA 92675-4853 USA
Phone: +1-949-369-8100 or 1-877-850-0805 (toll-free in U.S.)
Fax: +1-949-369-8105

NOTE:

- If the product is to be used outdoors or in dusty, humid, or other hostile environments, it must be suitably protected.
- For camera products supplied without a lens, extreme care should be used when mounting a lens on these products. Damage to the product due to incorrectly mounted lenses will invalidate this limited hardware warranty.
- Failure to comply with any of the aforementioned requirements will invalidate this Limited Hardware Warranty.

THE WARRANTY AND REMEDIES PROVIDED ABOVE ARE EXCLUSIVE AND IN LIEU OF ALL OTHER EXPRESS OR IMPLIED WARRANTIES INCLUDING, BUT NOT LIMITED TO, THE IMPLIED WARRANTIES OF MERCHANTABILITY OR FITNESS FOR A PARTICULAR PURPOSE. CERTAIN JURISDICTIONS DO NOT ALLOW THE EXCLUSION OF IMPLIED WARRANTIES. IF LAWS UNDER SUCH JURISDICTIONS APPLY, THEN ALL EXPRESS AND IMPLIED WARRANTIES ARE LIMITED TO THE WARRANTY PERIOD IDENTIFIED ABOVE. UNLESS PROVIDED HEREIN, ANY STATEMENTS OR REPRESENTATIONS MADE BY ANY OTHER PERSON OR FIRM ARE VOID. EXCEPT AS PROVIDED IN THIS WRITTEN WARRANTY AND TO THE EXTENT PERMITTED BY LAW, NEITHER IQINVISION NOR ANY AFFILIATES SHALL BE LIABLE FOR ANY LOSS, (INCLUDING LOSS OF DATA AND INFORMATION), INCONVENIENCE, OR DAMAGE, INCLUDING, BUT NOT LIMITED TO, DIRECT, SPECIAL, INCIDENTAL OR CONSEQUENTIAL DAMAGES, RESULTING FROM THE USE OR INABILITY TO USE THE IQINVISION PRODUCT, WHETHER RESULTING FROM BREACH OF WARRANTY OR ANY OTHER LEGAL THEORY. NOTWITHSTANDING THE FOREGOING, IQINVISION' TOTAL LIABILITY FOR ALL CLAIMS UNDER THIS WARRANTY SHALL NOT EXCEED THE PRICE PAID FOR THE PRODUCT. THESE LIMITATIONS ON POTENTIAL LIABILITIES HAVE BEEN AN ESSENTIAL CONDITION IN SETTING THE PRODUCT.

When you can't afford to miss a thing.

IQinVision 
www.iqeye.com

33122 Valle Road
San Juan Capistrano, CA 92675-4853 USA
phone +1.949.369.8100
fax +1.949.369.8105